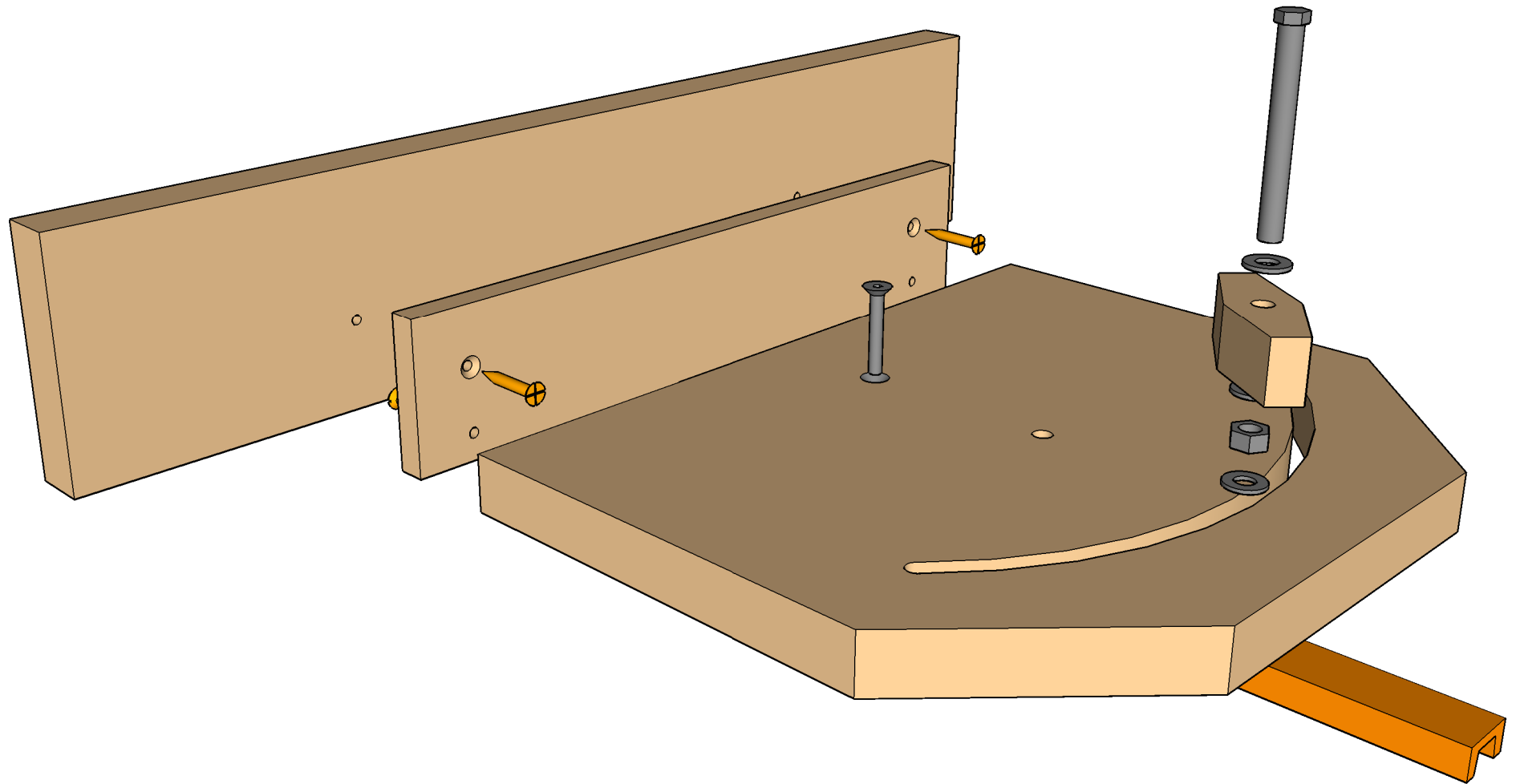
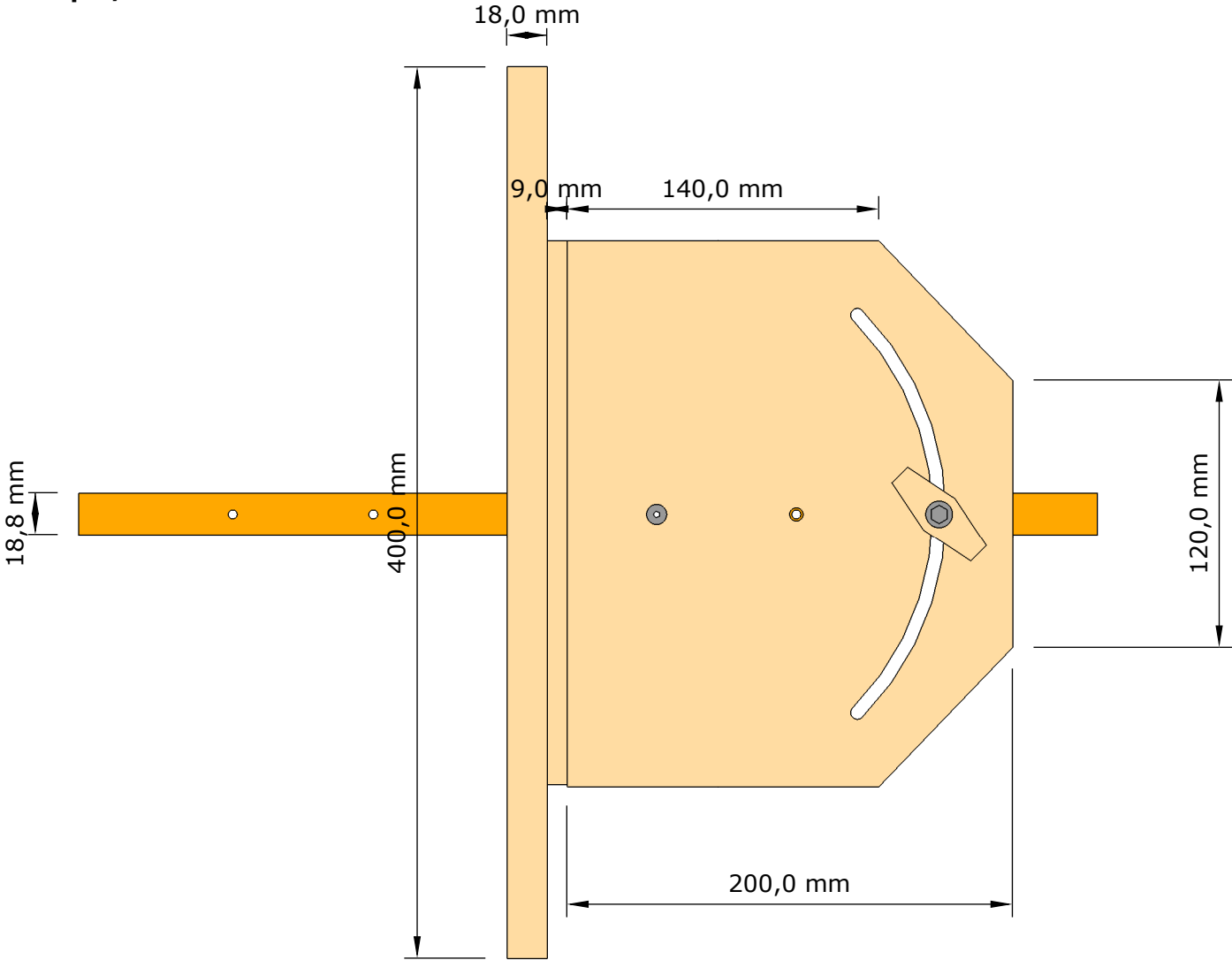


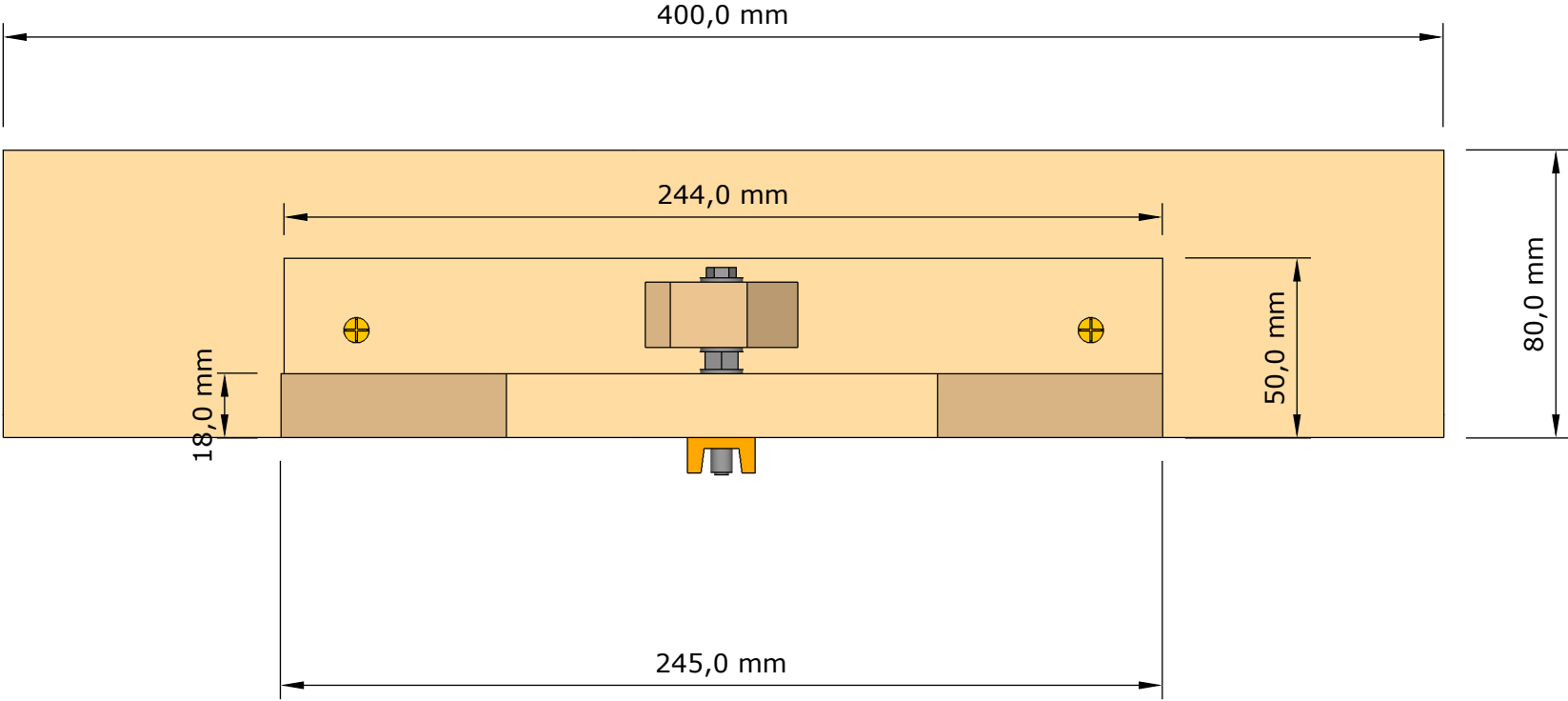
Miter gauge - ISO



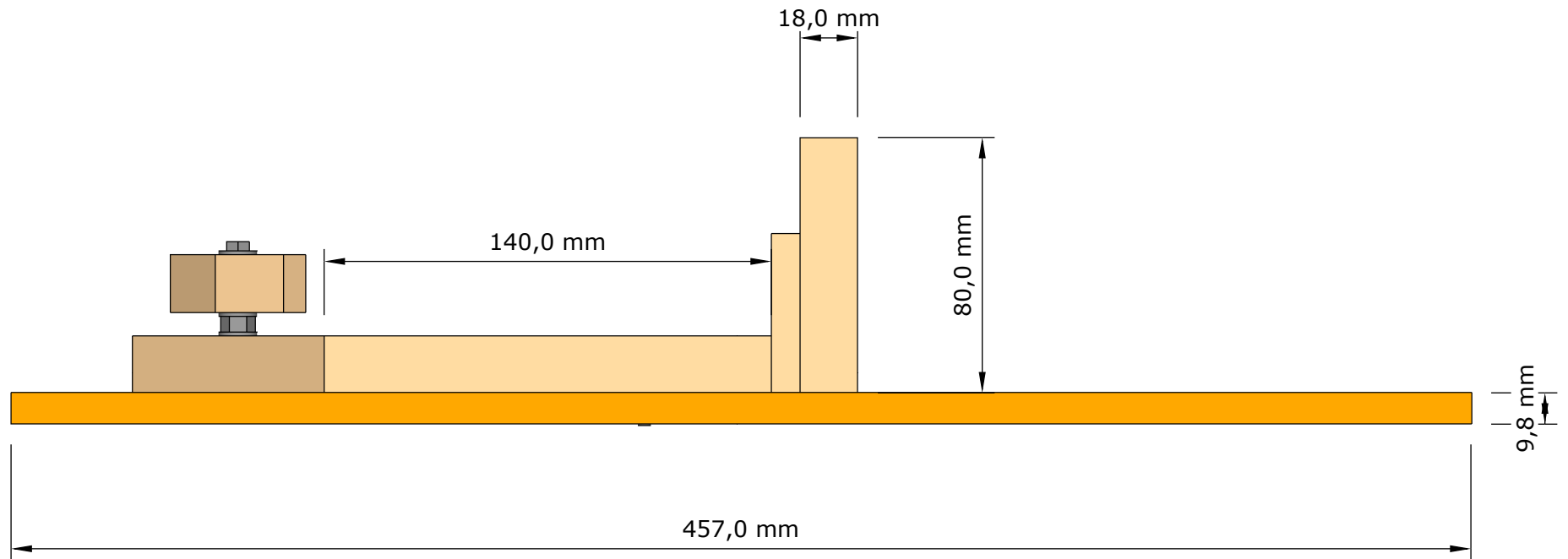
Miter gauge - Top 1/3 Scale



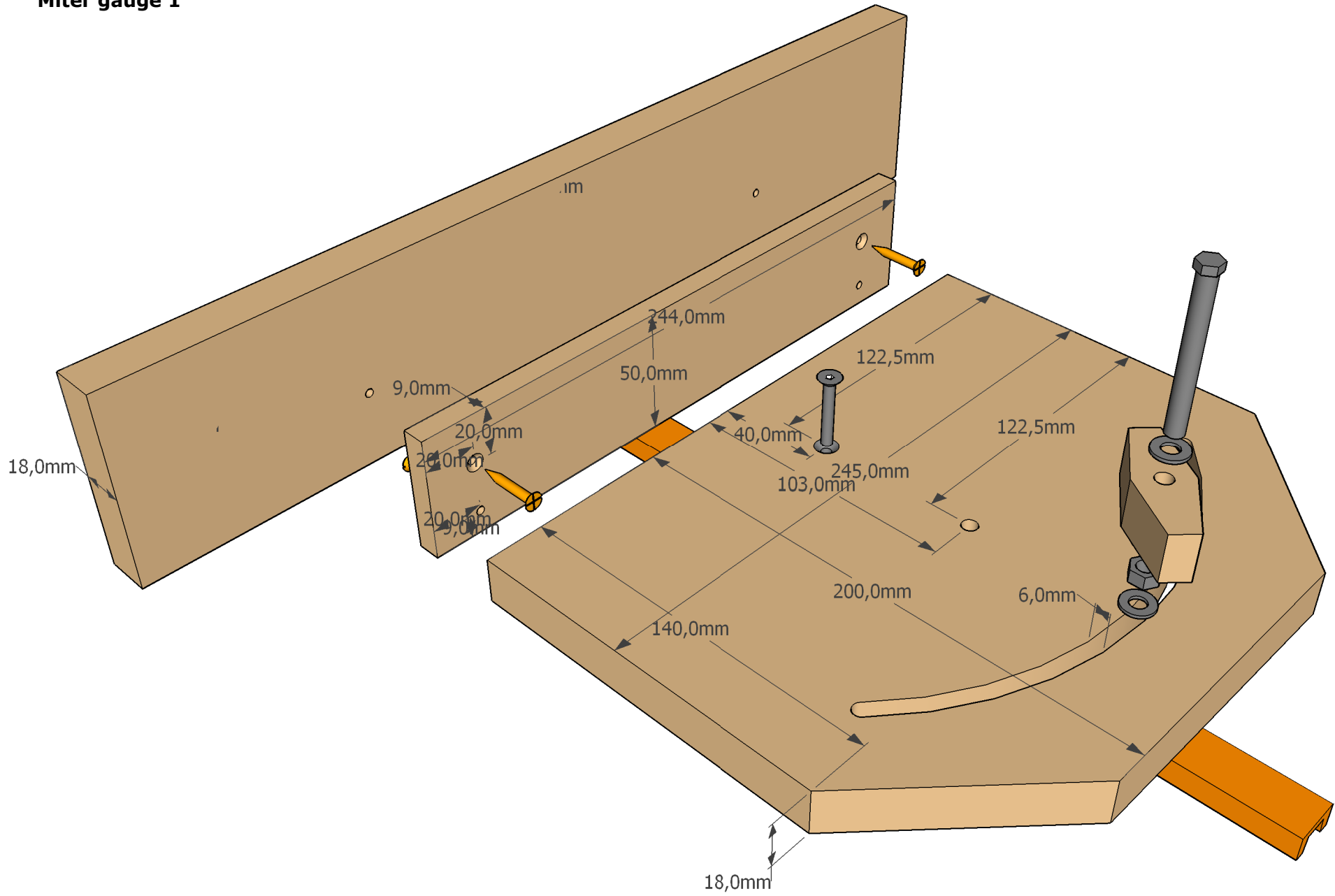
Miter gauge - Back 1/2 Scale



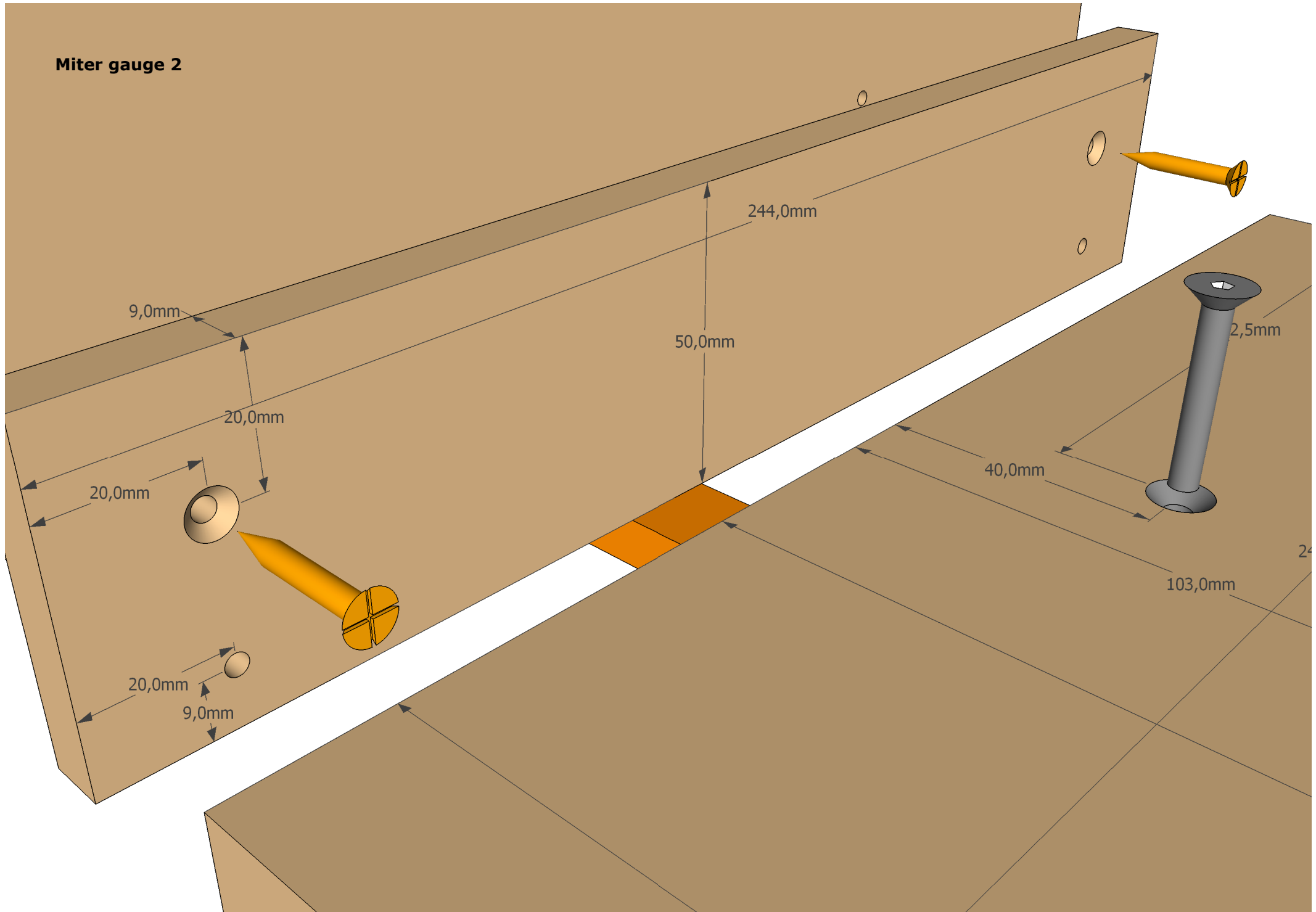
Miter gauge - Right 1/2 Scale



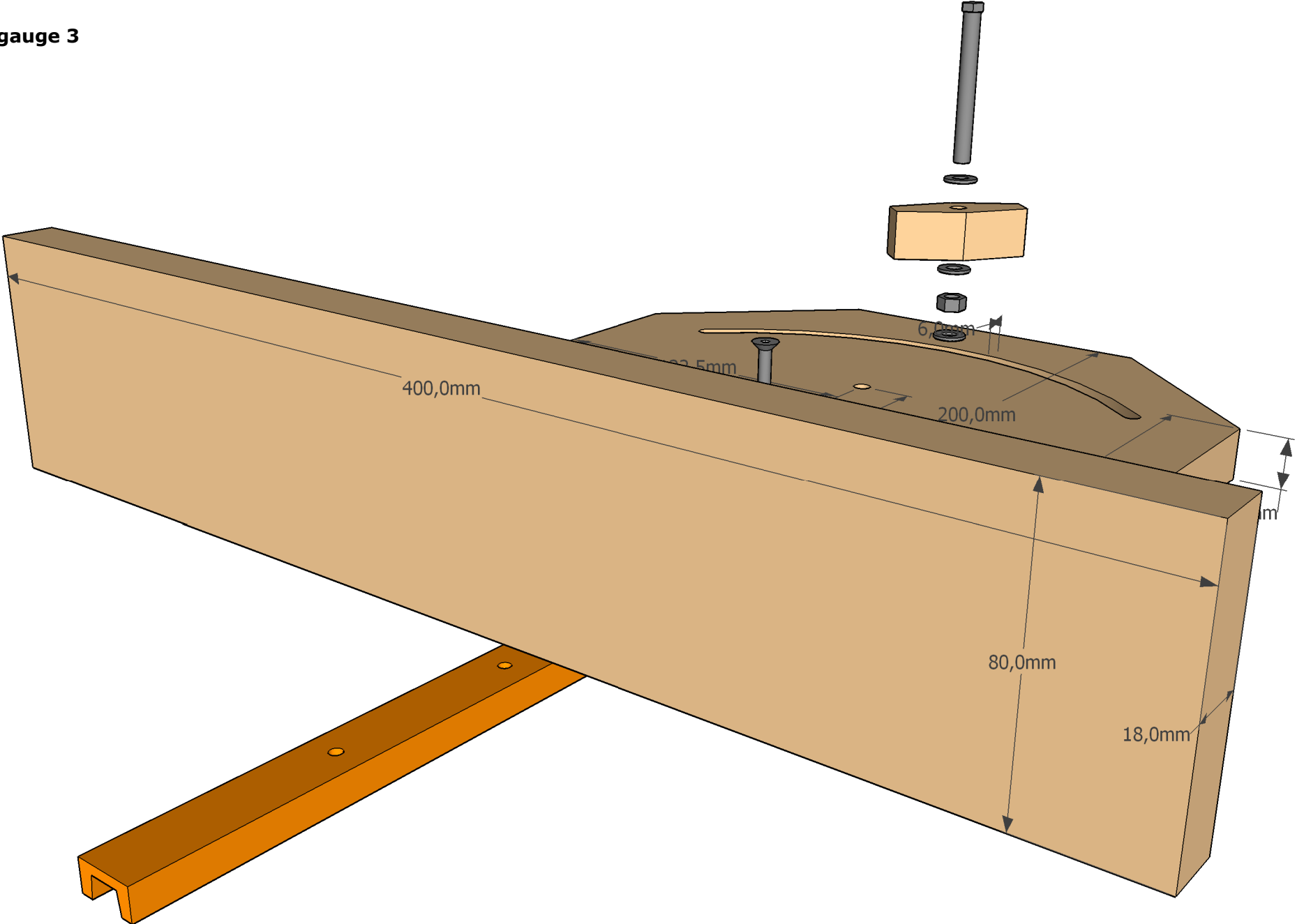
Miter gauge 1



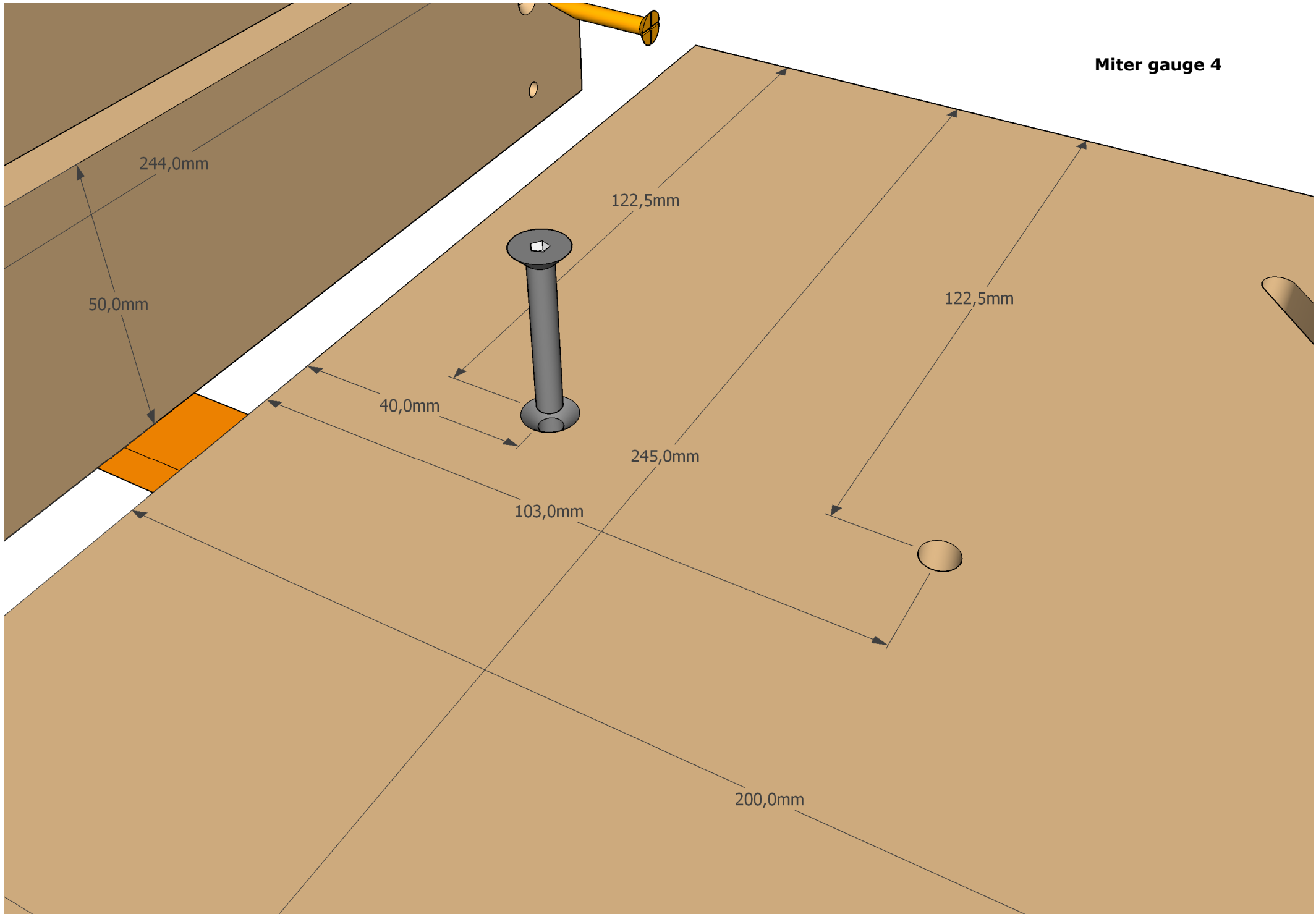
Miter gauge 2

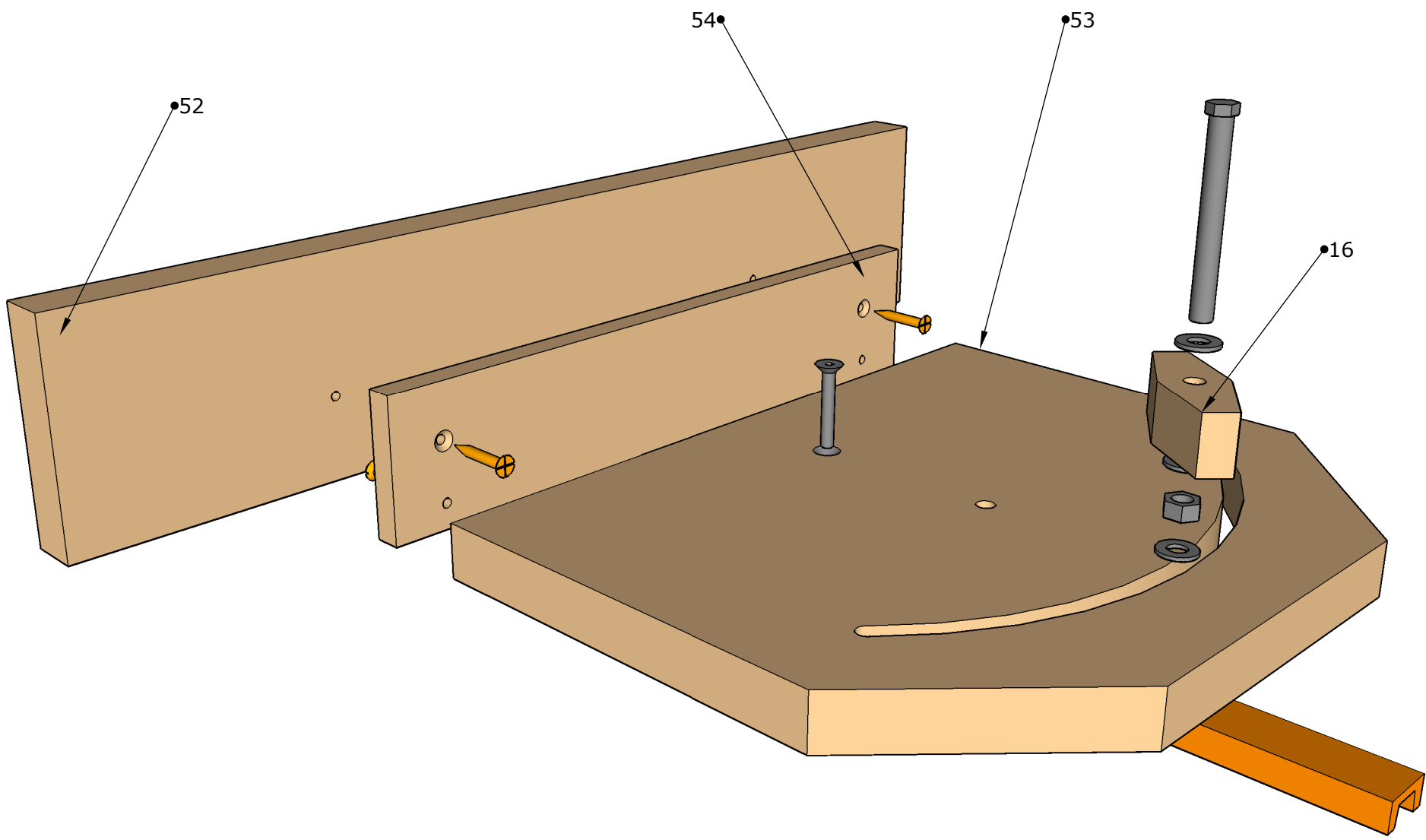


Miter gauge 3

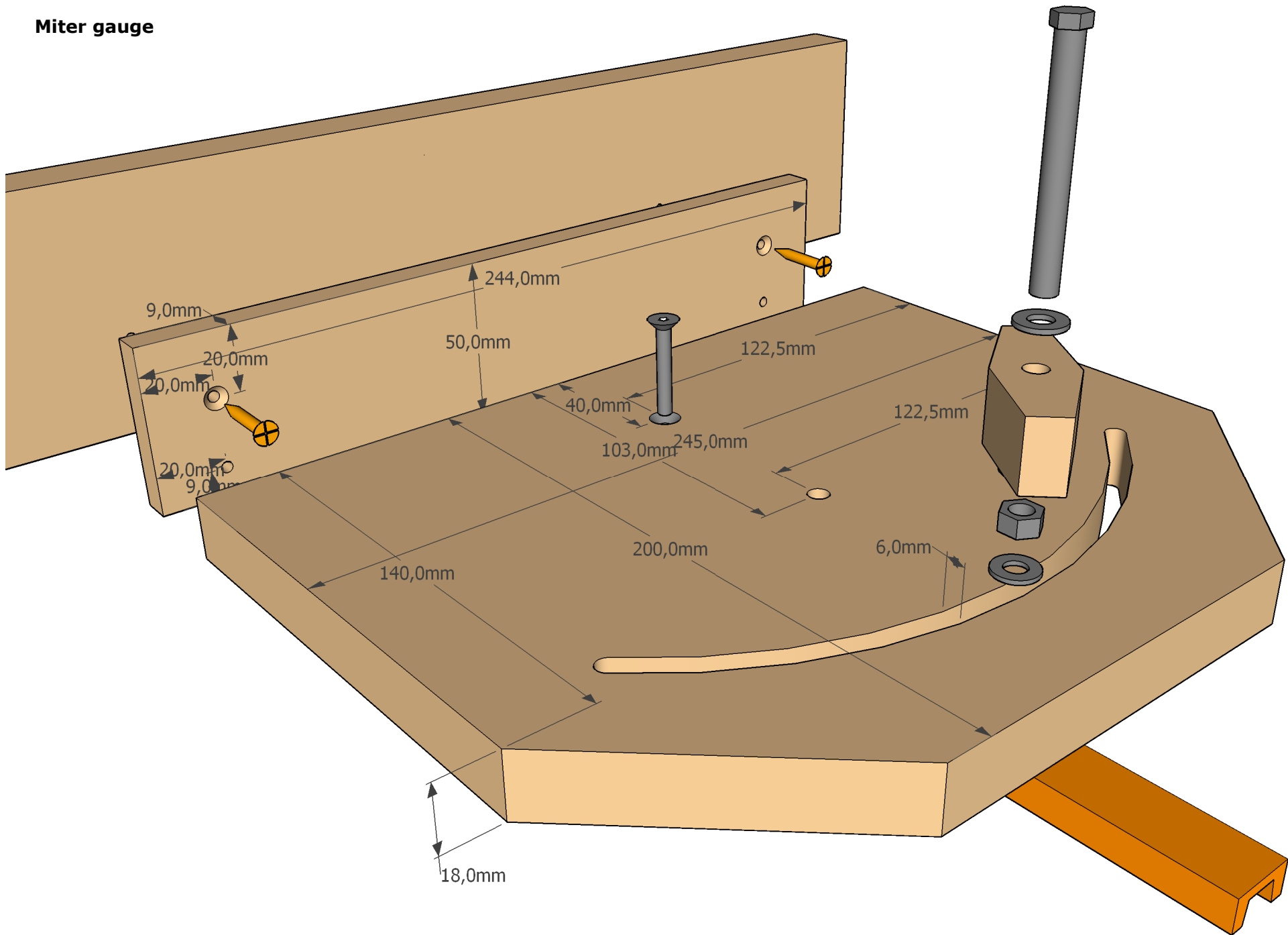


Miter gauge 4

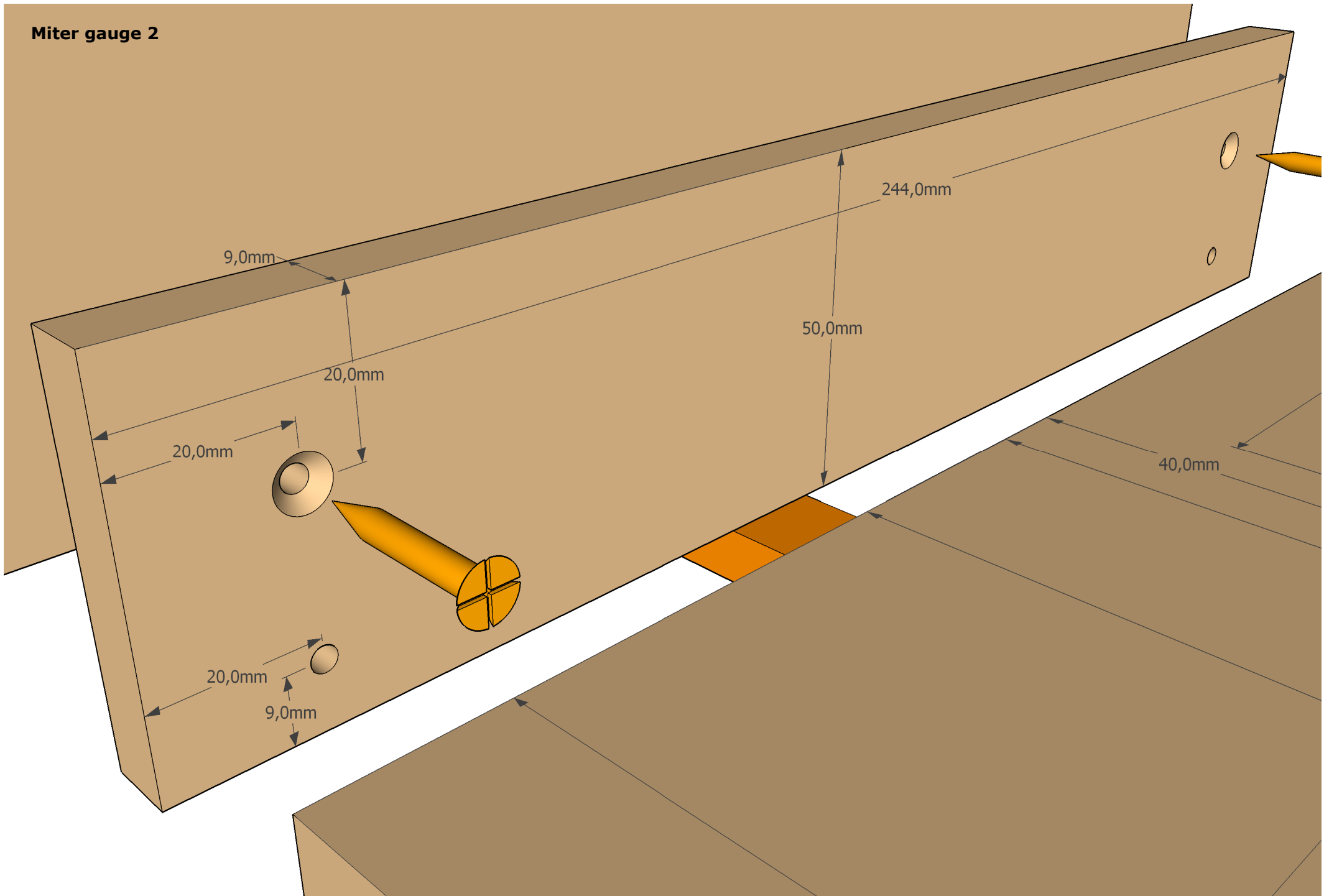




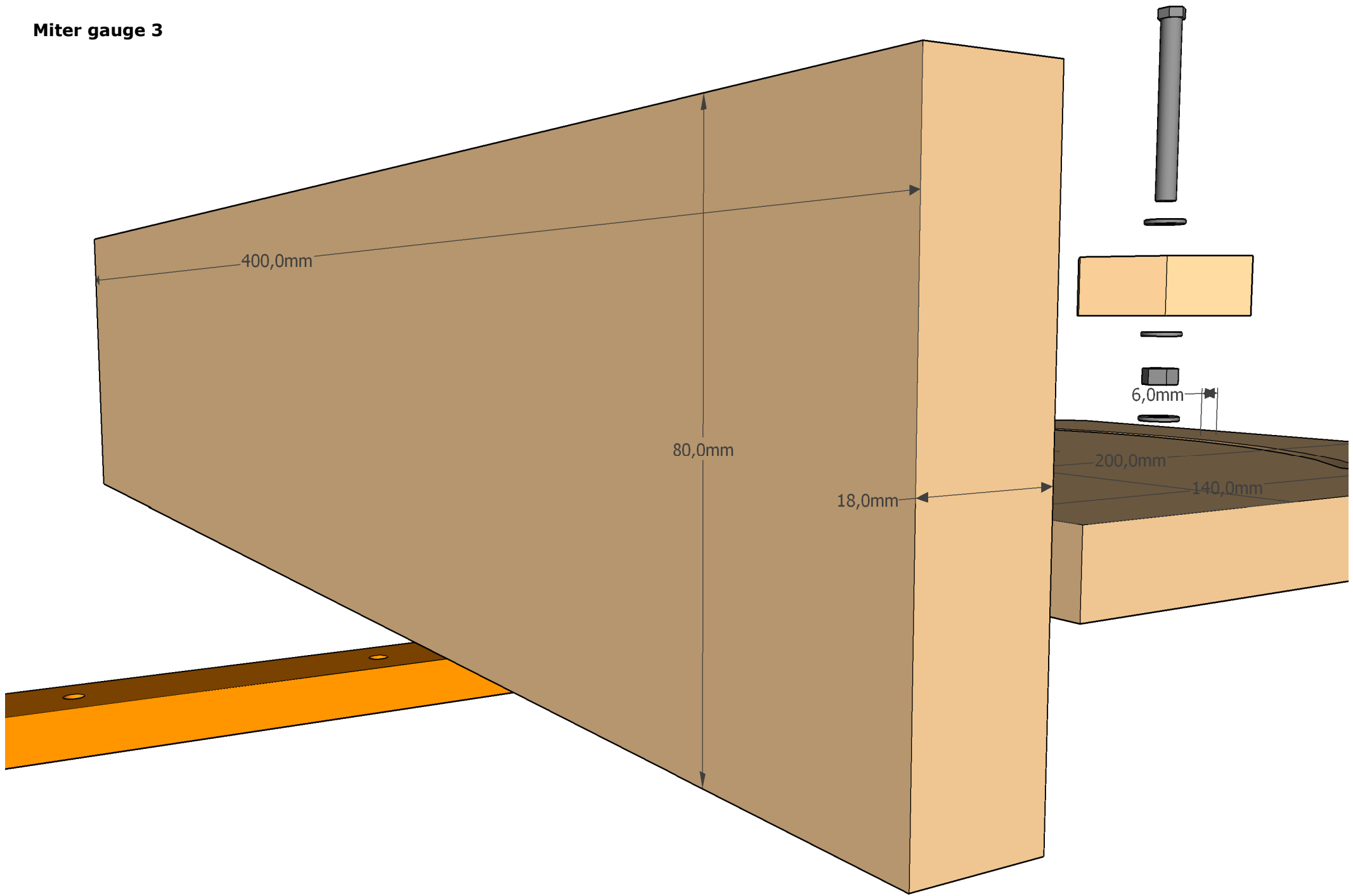
Miter gauge



Miter gauge 2

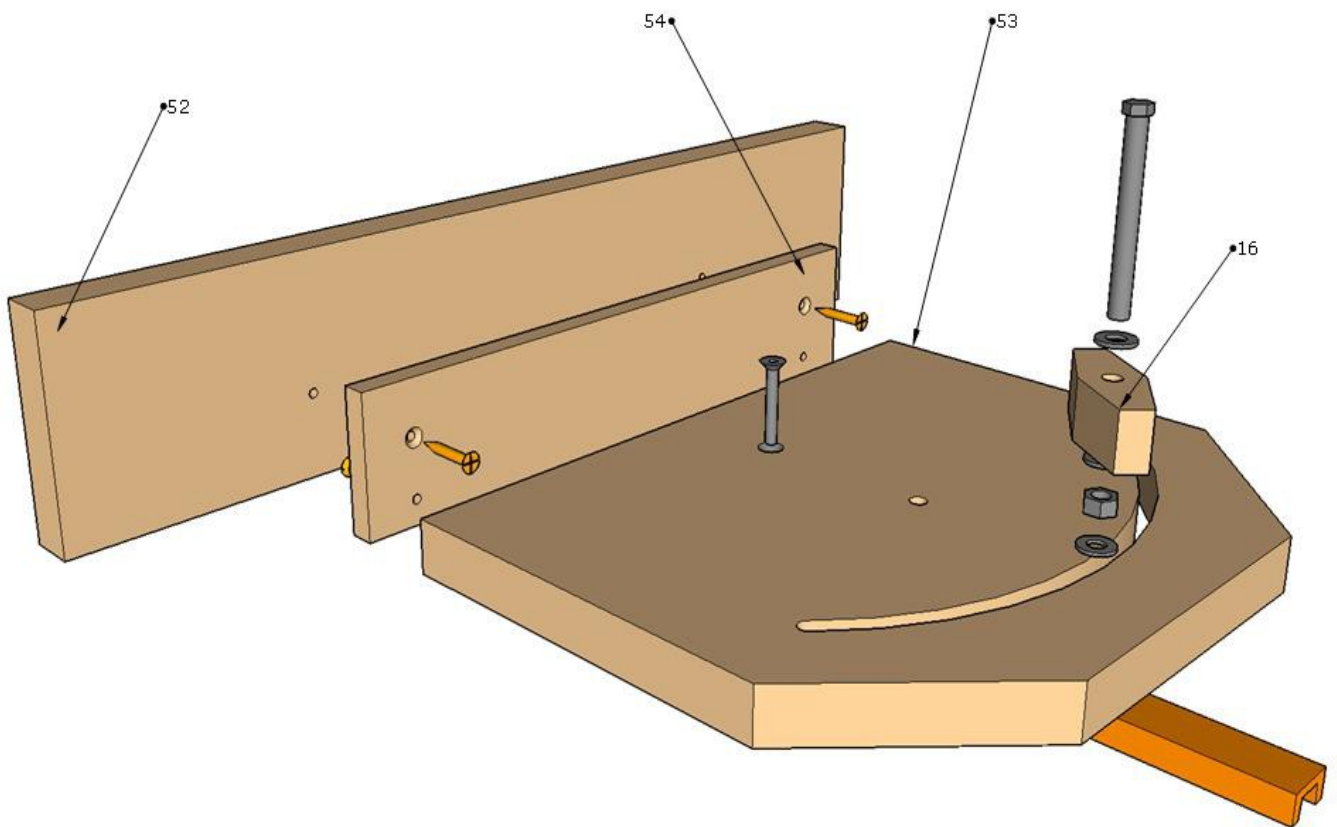


Miter gauge 3



Miter Gauge

Name	Length	Width	Quantity	Material
52	400 mm	80 mm	1	18mm Plywood
53	245 mm	200 mm	1	18mm Plywood
54	244 mm	50 mm	1	9mm Plywood



Printable Template 1

